

Product data sheet

Characteristics

9070T150D33

Transformer, Type T, industrial control, 150 VA,
380/400/415 VAC primary / 115/230 VAC second,
1 phase, 50/60 Hz, 55 °C



Product availability: Stock - Normally stocked in distribution facility

Price*: 273.00 USD



Main

| | |
|---------------------------|--------------------------------|
| Product or component type | Industrial Control Transformer |
| Rated power in VA | 150 VA |
| Range of product | T |

Complementary

| | |
|-----------------------|-----------------------|
| Phase | 1 phase |
| Rated power in VA | 150 VA |
| Temperature rise | 55 °C |
| Electrical connection | Screw clamp terminals |
| Height | 3.2 In (81.28 mm) |
| Width | 3.75 In (95.25 mm) |
| Depth | 3.59 In (91.19 mm) |
| Material | Copper winding |
| Product compatibility | FSC1 |

Environment

| | |
|---------------------------|--|
| Product certifications | CSA file LR37055 guide 184-N-90 UL listed file E61239 |
| NEMA degree of protection | Not rated (open device) |
| Insulation temperature | 221 °F (105 °C) |

Ordering and shipping details

| | |
|-----------------------|----------------------------------|
| Category | 16200 - 9070 T (NOT TF) 50-200VA |
| Discount Schedule | CP8 |
| GTIN | 00785901845645 |
| Nbr. of units in pkg. | 1 |
| Package weight(Lbs) | 5.59 Lb(US) (2.536 kg) |

| | |
|-------------------|-----|
| Returnability | Yes |
| Country of origin | MX |

Packing Units

| | |
|------------------------|---------------------|
| Unit Type of Package 1 | PCE |
| Package 1 Height | 3.80 In (9.652 cm) |
| Package 1 width | 4.20 In (10.668 cm) |
| Package 1 Length | 4.10 In (10.414 cm) |

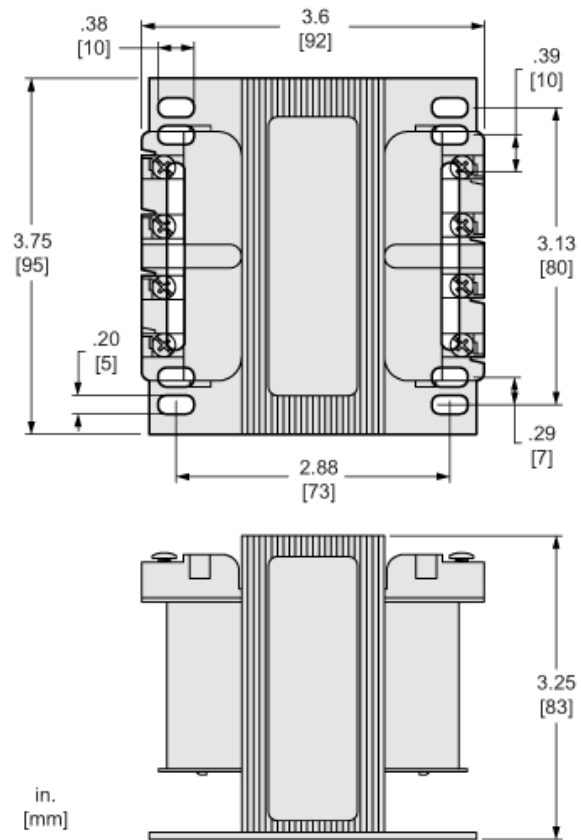
Offer Sustainability

| | |
|----------------------------|---|
| Sustainable offer status | Green Premium product |
| California proposition 65 | WARNING: This product can expose you to chemicals including: Phenyl glycidyl ether, which is known to the State of California to cause cancer and birth defects or other reproductive harm. For more information go to www.P65Warnings.ca.gov |
| REACH Regulation | REACH Declaration |
| EU RoHS Directive | Compliant EU RoHS Declaration |
| Mercury free | Yes |
| RoHS exemption information | Yes |
| China RoHS Regulation | China RoHS Declaration |
| Environmental Disclosure | Product Environmental Profile |
| PVC free | Yes |

Contractual warranty

| | |
|----------|----------|
| Warranty | 10 Years |
|----------|----------|

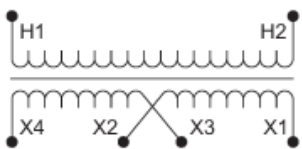
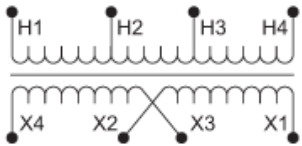
Approximate Dimensions



Connections and Wiring Diagrams

Voltage and Connection Options

| Voltage Code | Voltages | | Connections | |
|--------------|-------------|-------------------------------|---|---|
| | Primary | Secondary | Primary | Secondary |
| D33 | 380/400/415 | 115/230 | 380: Connect to H1 and H2 400: Connect to H1 and H3 415: Connect to H1 and H4 | 115: Connect to X1 and X4 Jumper X1 with X3 Jumper X2 with X4 230: Connect to X1 and X4 Jumper X2 with X3 |
| D37 | 550/575/600 | 110/220 115/230 120/240 | 550 or 575 or 600: Connect to H1 and H2 | 110 or 115 or 120: Connect to X1 and X4 Jumper X1 with X3 Jumper X2 with X4 220 or 230 or 240: Connect to X1 and X4 Jumper X2 with X3 |
| D60 | 277 | 120/240 | 277: Connect to H1 and H2 | 120: Connect to X1 and X4 Jumper X1 with X3 Jumper X2 with X4 240: Connect to X1 and X4 Jumper X2 with X3 |



Product Life Status : **Commercialised**